



TEJ 2026 Limited Edition

- Exhibiting: Sept 26 (Sat) & 27 (Sun) only
- Limited to 8 Booths



TEJ POP-UP Exhibition

Venue: Tokyo Big Sight

Back in Tokyo After 2 Years & Fully Booked!

This year, Tourism EXPO Japan (TEJ) has already reached full capacity due to an overwhelming number of applications that far exceeded our expectations. In response to this high demand, we have prepared a special exhibition plan limited to **8 booths**, designed specifically for promotion to the general public.

The target visitors are high-intent travelers eager to plan for their next trip! We invite you to take advantage of the two public days on **Sept 26 (Sat) & 27 (Sun)** to showcase your brand's unique appeal directly to them.

As space is strictly limited, we recommend that you consider securing your stand as soon as possible.

Exhibition
Fee

JPY 321,750 (tax included)
per booth (9m²)

Limited to 8 Booths only!
First Come, First Served

Exhibition Booth Specifications

【Included / Per Booth】

- System panel / Company name plate / Booth number sign
- Free 100V 500W power supply and outlet (1)
- Meeting table (1) / Folding chairs (2)
- Exhibitor pass (5 passes)

ATTENTION! Please read before applying

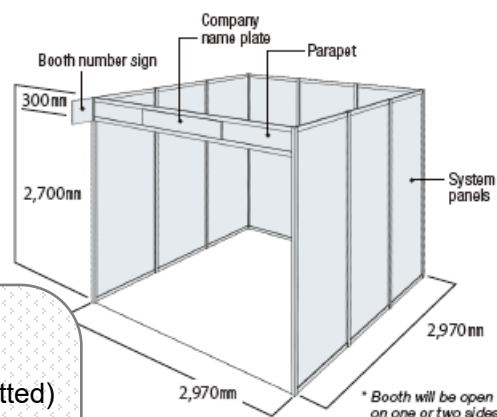
Important Notes;

- One booth per exhibitor (Multiple booth applications are not permitted)
- Setup Hours: Sept 26, 08:00 – 09:30
- Food and Beverage: Only commercially sealed products are allowed.
- No plumbing or water supply/drainage services are available.
- Height Limit: 2.7 meters or less.

Excluded Services

The following services are not included in this plan:

Business Matching System / TEJ Stage A&B / Storage Rooms)



Application Deadline
Jun 30, 2026 (Tue.)

*Registration will close once
all booths are fully booked.

Tourism EXPO Japan Promotion Office

ADD: Zen-Nittsu Kasumigaseki Bldg 4F., 3-3-3 Kasumigaseki, Chiyoda-ku, Tokyo, 100-0013, JAPAN

TEL: +81-(0)3-5510-2004 E-mail: event@t-expo.jp